

**GROVE**

ANBAU ACHSEN 6X4  
 AXLE ATTACHMENT 6X4

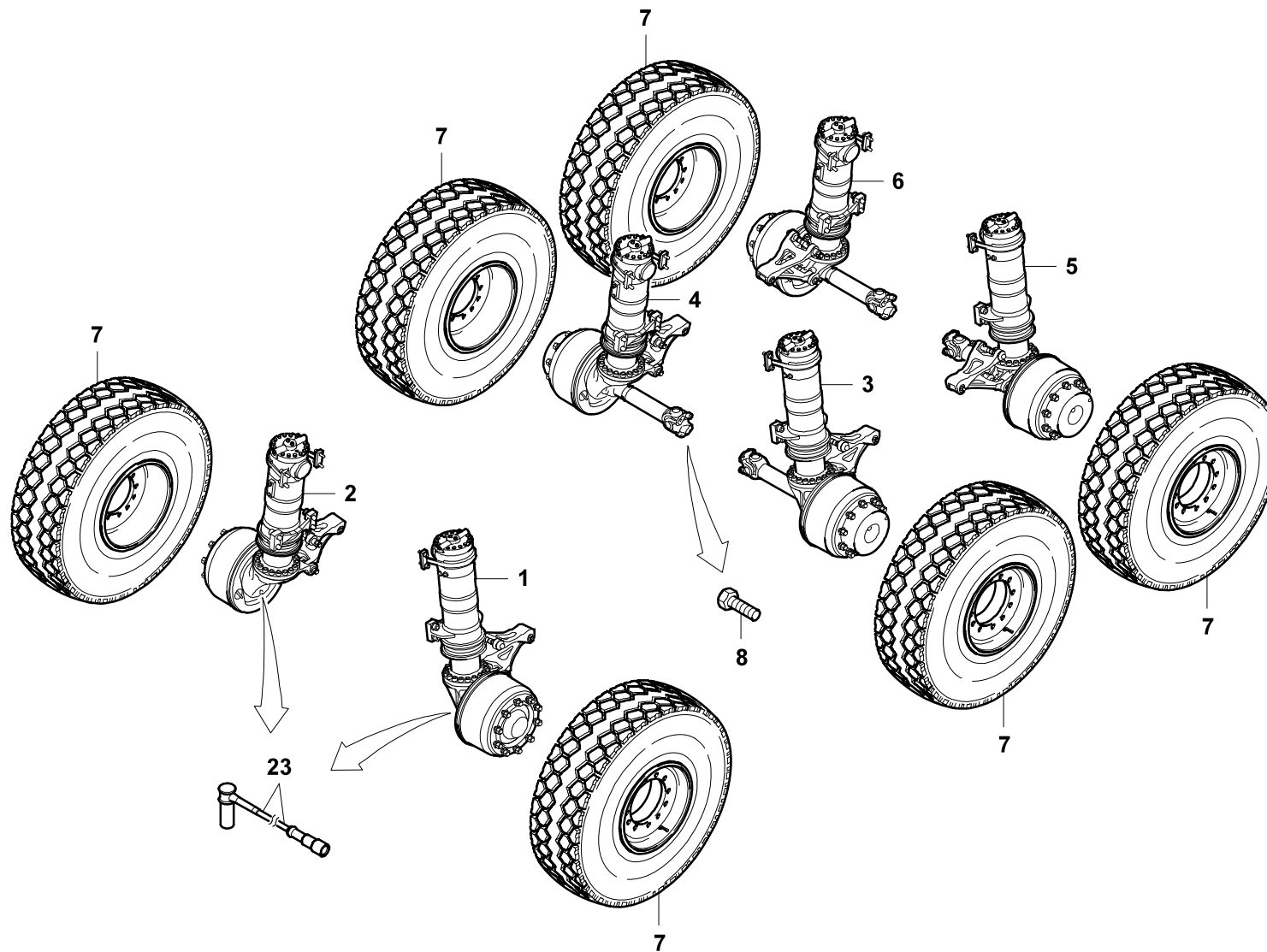
BILDТАFЕL  
 PICTORIAL DISPLAY

GMK 3060-2  
 CAB 2020

08.20

4239783-ETL C

1/2



**GROVE**

ANBAU ACHSEN 6X4  
 AXLE ATTACHMENT 6X4

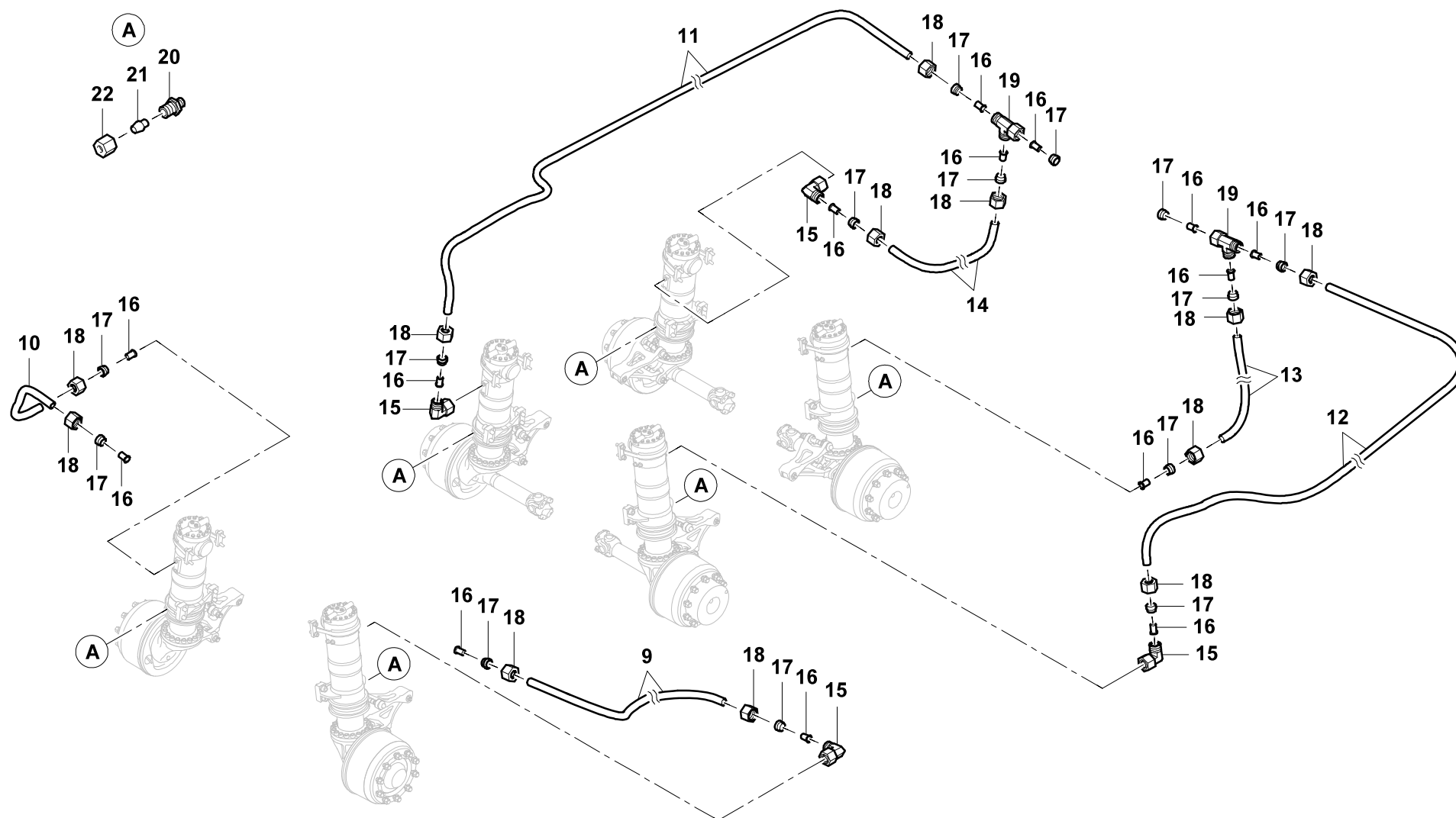
BILDTADEL  
 PICTORIAL DISPLAY

GMK 3060-2  
 CAB 2020

08.20

4239783-ETL C

2/2



4239783-C-BL02-0820-0000